

# Guard Locking-Rear Manual Escape Release Switches

## Types: KLM-RR & HYGIELOCK KL3-SS-RR



Solenoid Locking Interlock Safety Switches featuring Guard Holding up to 2000N. (200Kg.) & Rear Manual Release

### Features:

All the features and specifications of the standard KLM and KL3-SS are maintained, an extra Rear Manual Release button is provided at the rear of the housing.

### Application:

Where the risk assessment for the application permits, a non latching manual escape release is provided to enable quick release of the switch lock in case of emergency. The switch can be mounted such that access to the release button is available from inside the active guard area.

Pressing and holding the red button will release the lock mechanism and open the lock monitoring contacts whilst the guard can be pushed open.



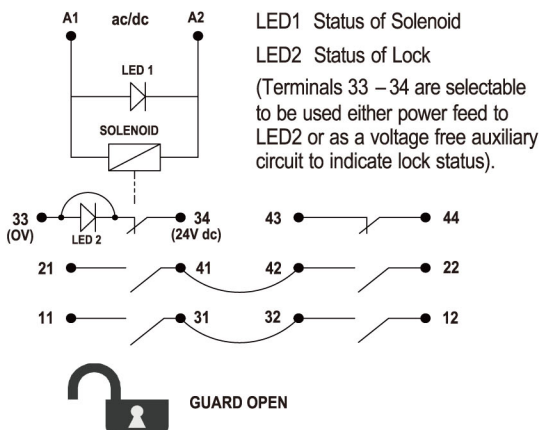
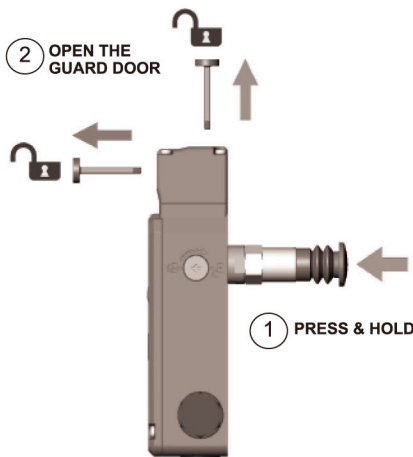
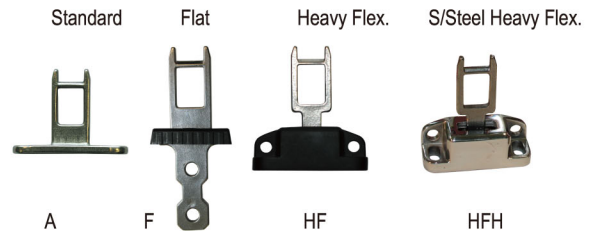
**KLM-RR**  
IP67 - Die - Cast Painted Red



**KL3-SS-RR**  
Stainless Steel 316 Housing -  
Mirror polished finish (Ra10)

Spring to lock when actuator is inserted.  
Energise solenoid to unlock or press rear release button.

Actuator options (See Page 51)



For all IDEM switches the normally closed (NC) circuits are closed when the guard is closed actuator inserted.

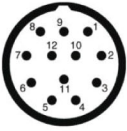
Standards	EN1088 IEC 60947-5-1 EN 60204-1 ISO 13849-1 EN62061 EN 954-1 UL508
Safety Classification and Reliability Data:	
Mechanical Reliability B10d	2.5 x 10 <sup>6</sup> operations at 100mA load
EN 954-1	up to Category 4 with Safety Relay
ISO 13849-1	up to PLe depending upon system architecture
EN 62061	up to SIL3 depending upon system architecture
Safety Data - Annual Usage	8 cycles per hour / 24 hours per day / 365 days
PFHd	3.44 x 10 <sup>-8</sup>
Proof Test Interval (Life)	35 years
MTTFd	356 years
Solenoid Voltage (by part number)	24V ac/dc or 110V. ac or 230V. ac
Solenoid Wattage	12W.
LED 2 Supply Voltage	24V dc
Utilization Category	AC15 A300 3A.
Thermal Current (Ith)	5A
Rated Insulation / Withstand Voltages	600VAC / 2500 VAC
Travel for Positive Opening	10mm
Actuator entry minimum radius	175mm Standard 100mm Heavy Duty
Maximum Approach / Withdrawal speed	600mm/s.
Body Material	KLM-RR Die Cast Painted Red KL3-SS Stainless Steel 316
Head Material	Die Cast Painted Red or Stainless Steel 316
Enclosure Protection	KLM-RR IP67 KL3-SS-RR IP69K
Operating Temperature	-25C. 55C.
Vibration	IEC 68-2-6, 10-55Hz+1Hz, Excursion: 0.35mm, 1 octave/min
Conduit Entry Fixing	Various (See Sales Part Numbers) 4 x M5

# Guard Locking-Rear Manual Escape Release Switches

## Types: KLM-RR & HYGIELOCK KL3-SS-RR

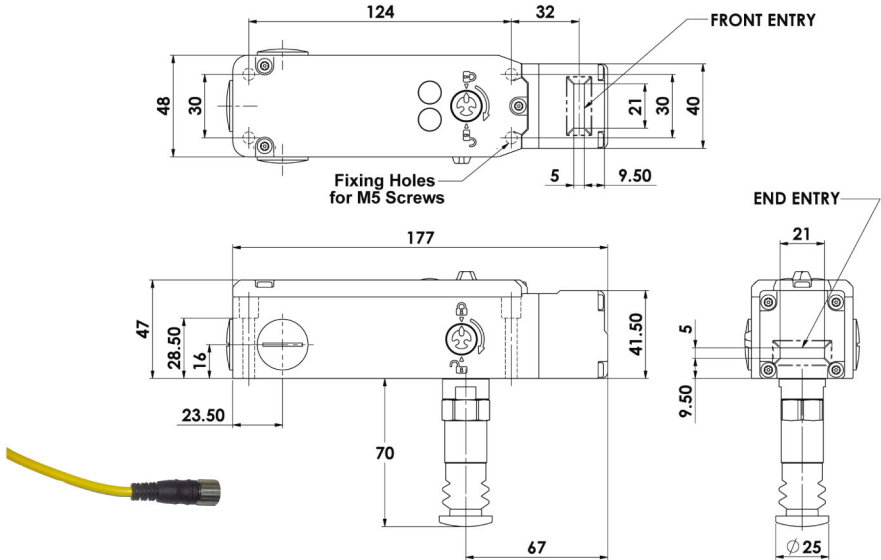


QC Quick Connect  
Connector Length 24mm



Quick Connect (QC) M23 12 way Male Plug (Pin view from switch)		Switch Circuit
1	3	A1 A2
4	6	11 / 12
7	8	21 / 22
2	5	43 / 44
9		33
10		34
Earth		12

Female QC Leads	Length	Sales Number
M23 12 Way	5m. (15Ft.)	140143
M23 12 Way	10m. (30Ft.)	140144



KLM-RR Die Cast Painted Red (Stainless Steel Head optional)		Standard Manual Release Lid and Side			Manual Release Lid only (not Side)			No Manual Release fitted (Blanked)		
		M20	1/2"NPT	QC M23	M20	1/2"NPT	QC M23	M20	1/2"NPT	QC M23
Sales Numbers	Solenoid Voltage	212001	212002	212003	212401	212402	212403	212301	212302	212303
Kobra KLM-RR Switch	24V. ac/dc	212004	212005	212006	212404	212405	212406	212304	212305	212306
Kobra KLM-RR Switch	110V. ac	212007	212008	212009	212407	212408	212409	212307	212308	212309
Kobra KLM-RR Switch	230V. ac									
Kobra Actuator	Standard	Add A to Sales Part Number								
Kobra Actuator	Flat	Add F to Sales Part Number								
Kobra Actuator	Heavy Duty Flexible	Add HF to Sales Part Number								
Kobra Actuator	S/Steel Heavy Duty Flexible	Add HFH to Sales Part Number								
Stainless Steel Head Versions		Add SS to Sales Part Number								
<b>ORDERING EXAMPLE:</b> 24V Solenoid M20 Conduit Standard Manual Release Standard Actuator - Part No. 212001-A										

KL3-SS-RR Stainless Steel 316		Standard Manual Release Lid and Side			Manual Release Lid only (not Side)			No Manual Release fitted (Blanked)												
		M20	1/2"NPT	QC M23	M20	1/2"NPT	QC M23	M20	1/2"NPT	QC M23										
Sales Numbers	Solenoid Voltage	215001	215002	215003	215401	215402	215403	215301	215302	215303										
Kobra KL3-SS-RR Switch	24V. ac/dc	215004	215005	215006	215404	215405	215406	215304	215305	215306										
Kobra KL3-SS-RR Switch	110V. ac	215007	215008	215009	215407	215408	215409	215307	215308	215309										
Kobra KL3-SS-RR Switch	230V. ac																			
Kobra Actuator	Standard	Add A to Sales Part Number																		
Kobra Actuator	Flat	Add F to Sales Part Number																		
Kobra Actuator	Heavy Duty Flexible	Add HF to Sales Part Number																		
Kobra Actuator	S/Steel Heavy Duty Flexible	Add HFH to Sales Part Number																		
Manual Release Key (order separately - not supplied with switches) Part No. 140123		<b>ORDERING EXAMPLE:</b> 24V Solenoid 1/2"NPT Conduit Manual Release Lid only Flat Actuator - Part No. 215402-F																		
It is recommended to use IDEM's Stainless Steel 316 Glands with the KL3-SS-RR		<table border="1"> <thead> <tr> <th colspan="2">Gland</th> <th>stainless steel 316</th> </tr> </thead> <tbody> <tr> <td>M20</td> <td>140120</td> <td rowspan="2"></td> </tr> <tr> <td>1/2"NPT</td> <td>140121</td> </tr> </tbody> </table>			Gland		stainless steel 316	M20	140120		1/2"NPT	140121								
Gland		stainless steel 316																		
M20	140120																			
1/2"NPT	140121																			