

Modus Sport

Low glare, broadcast-ready, flicker-free LED floodlight designed specifically for sport, field and large area lighting.

Remotely mounted single IP67 electronic control gear for ease of installation, driving 192 LEDs with multiple photometric distributions.

Feature rich dynamic controls and remote monitoring capability provides a highly scalable solution, for a high-end user experience in UHD and super slow motion conditions.



CE LED IP67 

Technical Data

Performance

Nominal Flux:	150,177 lm
Net Flux:	135,160 lm
Power Absorption:	1,240W

Optoelectronics

LED Type:	CREE XP-G
Circuit Board:	CuPCB 1.6 mm
CRI:	70 / 80 / 90
Luminous Eff Loss:	< 1% per annum
Colour Temperature:	3,000K to 5,700K

Optics

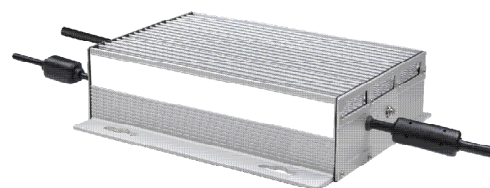
Secondary Lens:	PMMA Lens Array
System Treatment:	IP67, Anti-yellowing
Available Optics:	S1 / S2 / S3 / FH
No of LEDs / Module:	64
No of Modules:	3

Luminaire Body

Structure:	Stainless Steel
Metal Coating:	Powder painted
Heatsinks:	Extruded Aluminium
Bracket:	Central Bolt 20mm
IK Rating:	09
Weight:	26 Kg
Installation Height:	15m to 60m
Installation Angle:	Tilt Adjustment 360°
Dimensions (LxWxH in mm):	631 x 373 x 289
Effective Projected Area (EPA):	0.30 m ²

Electronics (Remote Mounted)

Voltage Input:	90-305 VAC 50-60Hz
Power Factor:	0.97
Mean Time to Failure:	100,000 hrs
Dimming Function:	1-10V / PWM / DMX
Surge Protection:	6kV (20kV optional)
Insulation Class:	IEC Class I
IP Rating:	IP 67
Short Circuit Protection:	Auto-recovery
Over Heat Protection:	Drops output current
Rel. Humidity Range:	0% - 98%
Operating Temp:	-40°C up to +60°C
Weight:	6 Kg
Max. Distance to Driver:	35 m



Normative references

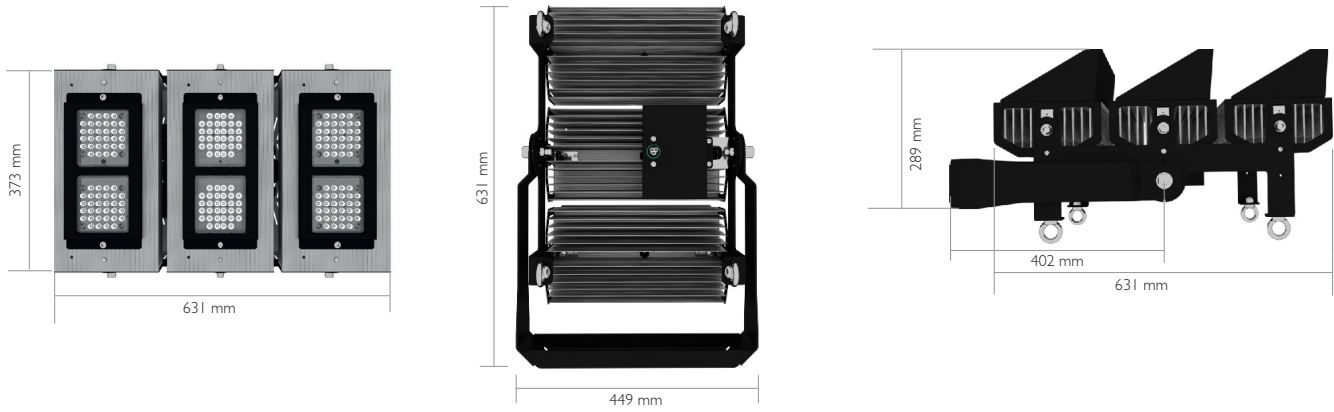
- EN 60598-1:2008 + A11: 2009 - Luminaires - Part 1: General requirements and tests
- EN 60598-2-5:2003 - Luminaires - Part 2-5: Particular requirements - Floodlights
- EN 62031:2008 + A1: 2013 - LED modules for general lighting - Safety specifications
- EN 62493:2010 - Assessment of lighting equipment related to human exposure to electromagnetic fields
- EN 60529:1991 + A1:2000 + A2:2013 - Degrees of protection provided by enclosures (IP Code)
- IEC 60068-2-52 - Environmental test: Salt mist test
- EN 55015: 2003 - Limits and methods of measurement of radio disturbance characteristics of electrical lighting and similar equipment
- EN 61547: 2009 - Equipment for general lighting purposes - EMC immunity requirements
- EN 61000-3-2: 2006 + A1: 2009 + A2: 2009 - Electromagnetic compatibility (EMC) -- Part 3-2: Limits - Limits for harmonic current emissions (equipment input current ≤ 16 A per phase)
- EN 61000-3-3: 20013 - Electromagnetic compatibility (EMC) -- Part 3-3: Limits - Limitation of voltage changes, voltage fluctuations and flicker in public low-voltage supply systems, for equipment with rated current ≤ 16 A per phase and not subject to conditional connection



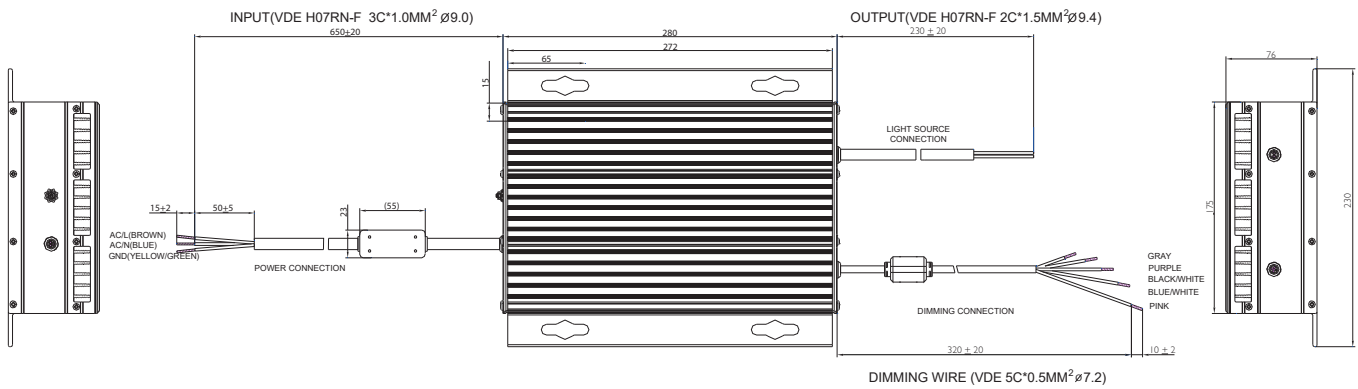
Midstream Lighting Ltd. | Chesham Street, London, SW1X 8ND, U.K.
 Tel +44 207 584 8310 Email info@midstreamlighting.com
www.midstreamlighting.com



Luminaire Body

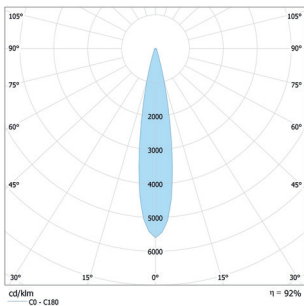


Remote Driver

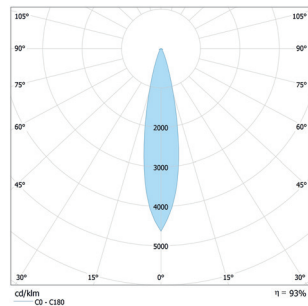


Photometrics

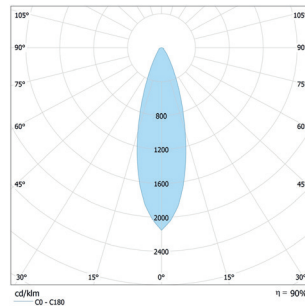
S1 (15° Symmetrical)



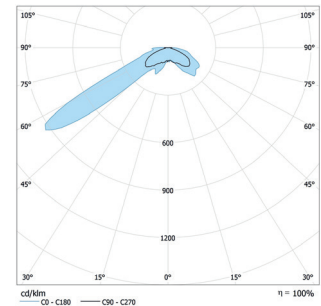
S2 (20° Symmetrical)



S3 (30° Symmetrical)



FH Floodlight (High Asymmetry)



Ordering codes

Product Family	Power	Optic	CCT	CRI	Voltage	Control system	Body Type	Bracket	Connector	Visor
MR (Modus R)	12	S1	A (5000K)	70	EU (120-277 AC)	I0 (1-10V)	T (Flood)	T (Flood)	00 (Standard)	01
	08	S2	B (4000K)	80	US (347-480 AC)	DA (DALI)	H (High Heat)	S (Suspension)	02 (Ext IP68 Connector)	
		S3	C (3000K)	90	CA (100-240 AC)	CW (Custom Wireless)		P (Pole)		
		FH	D (5700K)		XC (Custom)	DX (DMX)				
		E (Custom)								

Example: MR-12-S1-A-70-EU-10-T-02-01



Midstream Lighting Ltd. | Chesham Street, London, SW1X 8ND, U.K.
 Tel +44 207 584 8310 Email info@midstreamlighting.com
 www.midstreamlighting.com

These specifications are subject to change without notice.
 Copyright © Midstream Lighting Ltd. All rights reserved.

