



# ACK 4

Chain actuator – Thrust force 300N – Max stroke 400 mm

**ELLISCO** > +64 9 570 5267  
> info@ellis.co.nz  
> www.ellis.co.nz

Adjustment of stroke in 7 positions from 100 to 400 mm (international patent).



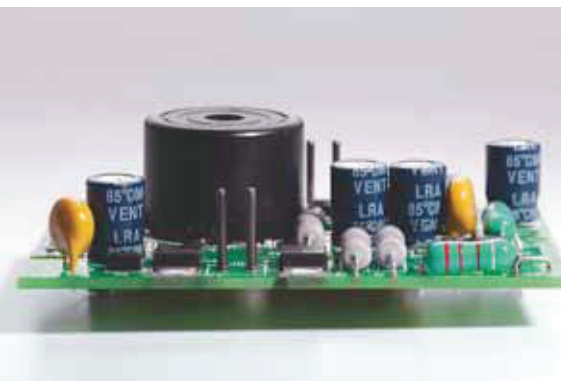
Double link chain in stainless steel.



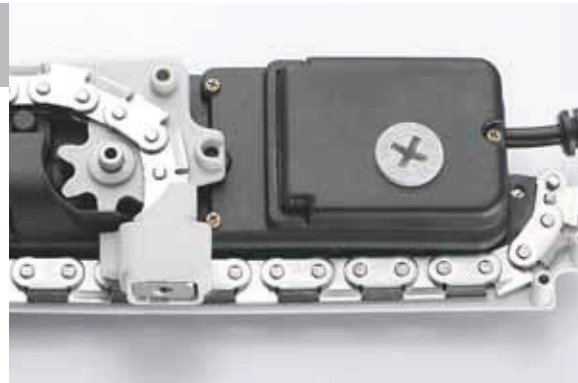
Simple swivel brackets, fast and suitable for windows of any type and size (not included in the standard packaging).



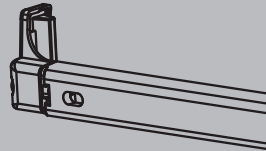
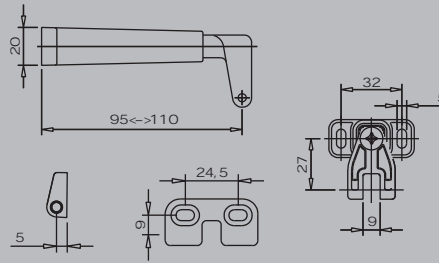
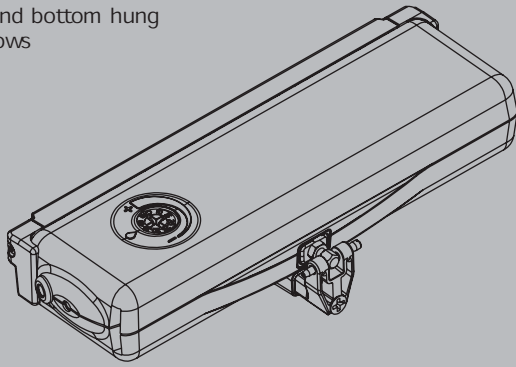
Acoustic device to indicate wrong installation (buzzer).



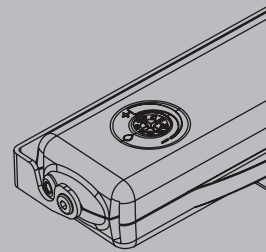
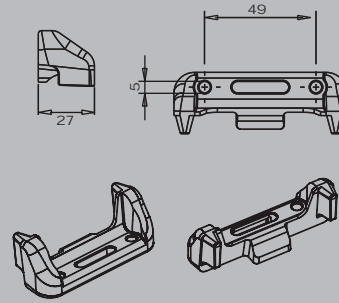
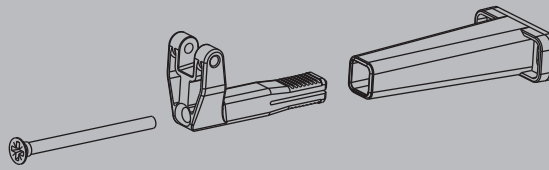
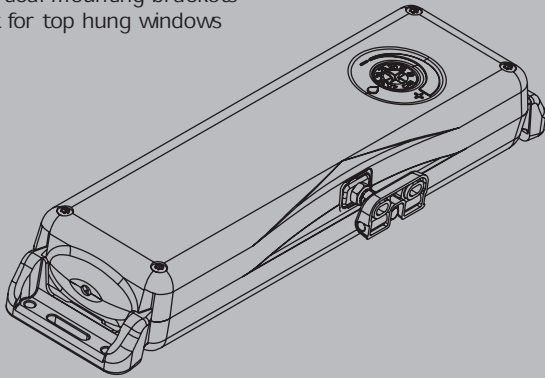
High protection degree IP 55.



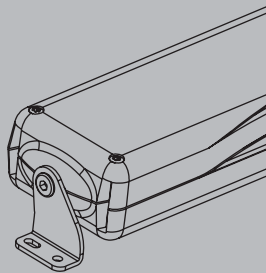
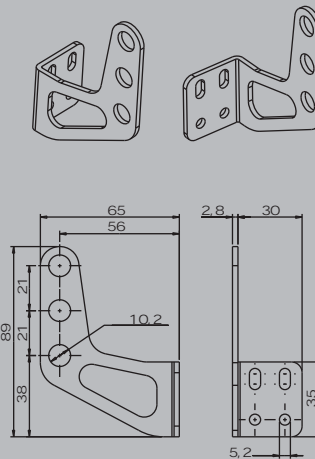
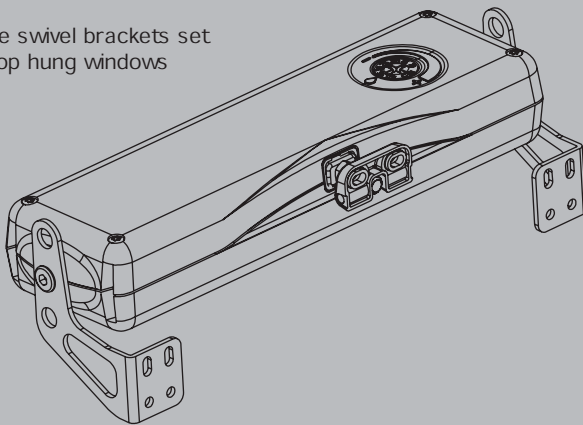
Standard brackets for top and bottom hung windows



Vertical mounting brackets set for top hung windows

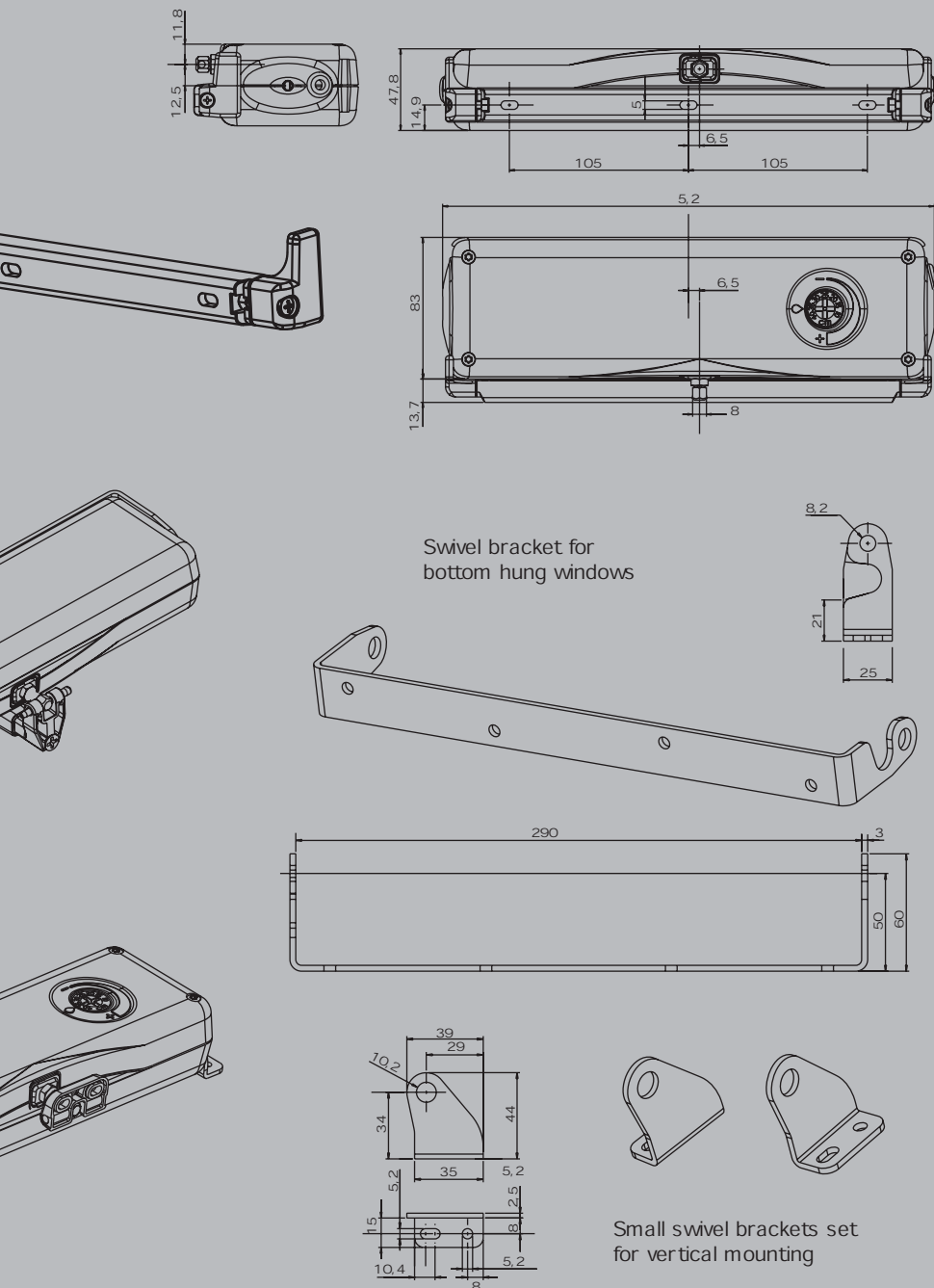


Large swivel brackets set for top hung windows



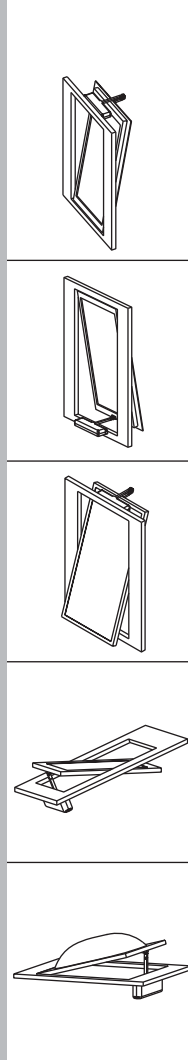
## Technical specifications

|   | ACK4/ 230                                  | ACK4/ 24    |
|---|--|-------------|
| Power supply voltage  | 230 V~50 Hz                                | 24 V d.c.   |
| Max applicable load in thrust/ traction   | 300 N                                      |             |
| Strokes   | 100 - 150 - 200 - 250 - 300 - 350 - 400 mm |             |
| Absorbed current  | 0,32 A                                     | 1,35 A      |
| Idle translation speed  | 27 mm/s                                    | 17 mm/s     |
| Duration of the idle stroke   | 15 s                                       | 23 s        |
| Double electric insulation  | yes  | -           |
| Service type  | S2 of 2 min                                | S2 of 3 min |
| Operating temperature   | -5 +50 °C                                  |             |
| Protection degree of electric devices   | IP 55                                      |             |
| Stroke end regulation (in closing) to window frame                                | 10 mm                                      |             |
| Connection of two or more actuators in parallel                                   | yes  |             |
| Connection/ synchronisation of two ACK4* on the same window                       | with synchronization kit only              |             |
| Chain position control  | yes  |             |
| Stroke end  | encoder                                    |             |
| Electronics with acoustic device to warn the user of wrong installation (buzzer)  | yes  |             |
| Dimensions  | 288,5x83x47,8 mm                           |             |
| Weight**  | 1,9 Kg                                     |             |
| * minimum distance between the chains motors: 1500 mm                             |  |             |
| ** the weight indicated in the table may vary according to the chosen accessories |  |             |



Swivel bracket for bottom hung windows

Small swivel brackets set for vertical mounting



## Description for technical specifications

Electric actuator TOPP model ACK4 with double-link chain in stainless steel, contained in a die-cast body of aluminum alloy coated by epoxy powders, complete with support and fitting accessories for top and bottom hung windows. Operation at 230 V~50 Hz or, as an alternative, at 24 V d.c. Max. traction and thrust force 300 N. Max. stroke of 400 mm, adjustable at 100, 150, 200, 250, 300, 350, 400 mm by an external handgrip. Electronics with acoustic device that warns of any eventual incorrect installations. Electronic stroke end through an external handgrip on both sides of the actuator body. Version for synchronization available on request. Protection degree of electric devices IP55. CE marked device .

**ACK4TOPP**  
movement technologies