

## AAG STUCCHI

### LAMP HOLDERS & TERMINALS

“MADE IN ITALY” FOR THE LAST 70 YEARS.

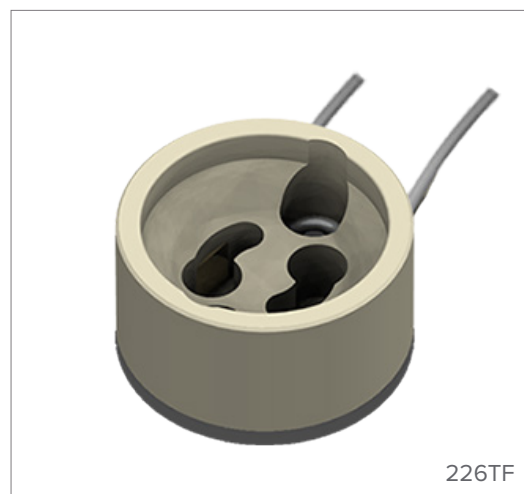
The origins of A.A.G. Stucchi are strongly rooted in a specific tradition of highly specialized Italian manufacturing excellence which has ensured they stand out in the markets we serve.

Over the years, their Italian-made products have embodied the principle of strong ideas and concepts applied to specific problems.

#### 226TF

##### TECHNICAL DATA

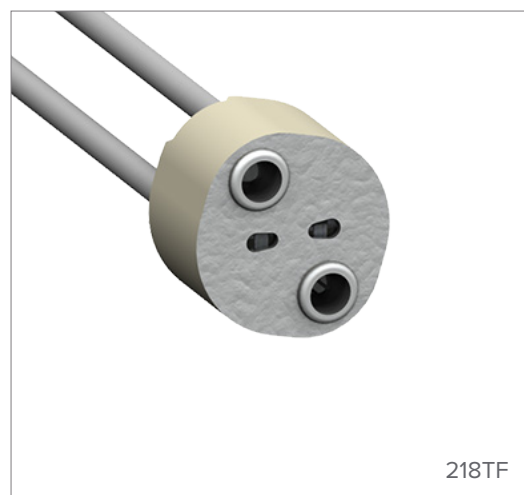
Lamp cap	GU10
Rated current and voltage	2A-250V
Maximum operating temperature (IEC)	T250
Protection index	IP20
Impulse withstand category	II



#### 218TF

##### TECHNICAL DATA

Lamp cap	G4, GY4, G5.3, GX5.3, G6.35, GY6.35
Rated current and voltage	10A-24V
Maximum operating temperature (IEC)	T350
Protection index	IP20
Impulse withstand category	II



#### 227TF

##### TECHNICAL DATA

Lamp cap	G9
Rated current and voltage	0,5A-250V
Maximum operating temperature (IEC)	T250
Protection index	IP20
Impulse withstand category	II

